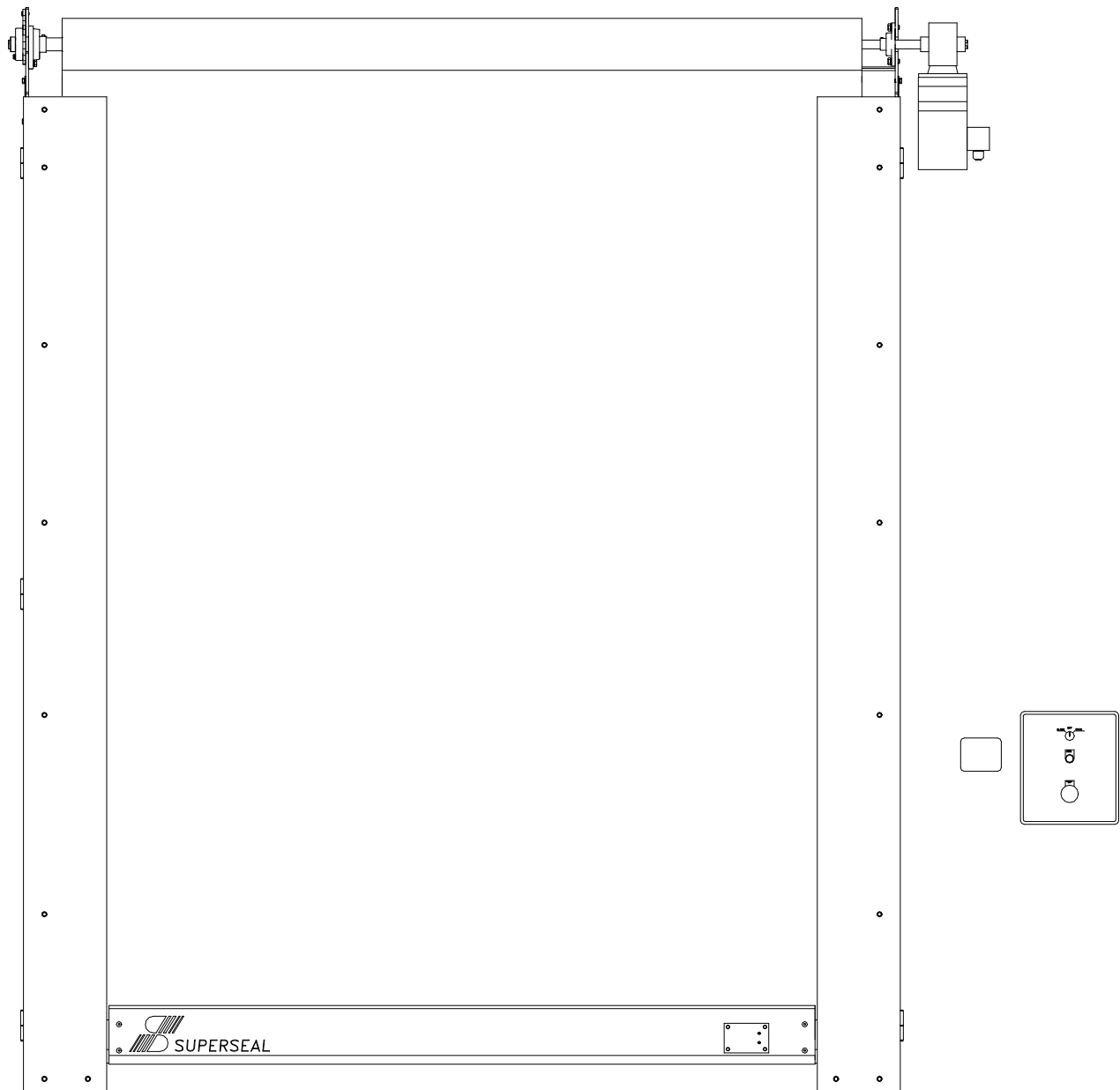


# Series 8500-S · “SuperLogic III” and “SuperLogic III PLUS” c/w Encoder MANUAL



## Series 8500-S – SuperLogic III + III PLUS

### INSTALLATION LISTS

THE FOLLOWING LISTS COVER BASIC INSTALLATION, NOT INCLUDING OPTIONS OR ELECTRICAL

#### Components List

No.		Qty.
1	Right Side Upright	1
2	Left Side Upright	1
3	Top Stabilizing Tube	1
4	Fabric Roll	1
5	Motor	1
6	Control Panel	1
7	Hardware Box	1

#### Hardware Supplied List (per Unit)

No.		Qty.
1	1/4" B.S. Washer	2
2	5/16" (18) X 3/4" Hex Bolt	2
3	M14 x 30mm Hex Bolt	4
4	M14 Lock Washer	4

No.		Qty.
5	Breather for Motor	1
6	Operation Manual / Installation Manual	1/1

#### Recommended Tools List

Tape Measure
Plumb line or Level
Pencil or Marker
Square
Power Drill
Hammer Drill
Masonry Drill Bit
Socket Set – Standard (Imperial) & Metric

Wrench Set – Standard (Imperial) & Metric
Allen Key Set – Standard (Imperial) & Metric
Hammer
Screwdrivers
Knife or Scissors
General Purpose Grease BR 2+
Serviceable Locktite

# Series 8500-S – SuperLogic III + III PLUS

## INSTALLATION INSTRUCTIONS

**READ ALL INSTRUCTIONS BEFORE INSTALLING DOOR. SUPER SEAL MFG. LTD. WILL NOT BE HELD RESPONSIBLE FOR IMPROPER INSTALLATION OF ANCHORING DEVICES, OR FOR INSTALLATION INTO AGED OR UNSOUND CONCRETE, CONCRETE BLOCK, OR OTHER WALL OR FLOOR MATERIAL WHICH MAY RESULT IN PREMATURE PRODUCT WEAR, PRODUCT FAILURE, PROPERTY DAMAGE, OR PERSONAL INJURY.**

### 1. Check Order

- a. **Measure door opening height and width.** Compare to Purchase Order. **The Top Stabilizer Tube is cut to the door opening width as ordered.**
- b. **Check Components List and Hardware Supplied List.** Make sure all components and hardware are present.
- c. **Check Recommended Tools List.** Make sure all recommended tools are available.
- d. **Determine method of mounting door to wall.** Examine wall construction and decide whether to use concrete anchors, use threaded rod, or use another fastening technique. This door must be securely fastened to the wall.
  - **The Customer must supply mounting hardware.**
  - **WELDING THE DOOR TO THE WALL IS NOT RECOMMENDED.**
- e. **Installation Recommendations:**
  - Use serviceable locktight for all fasteners, including bolts and set screws, except on front covers.
  - Use anti-seize on all shafts.

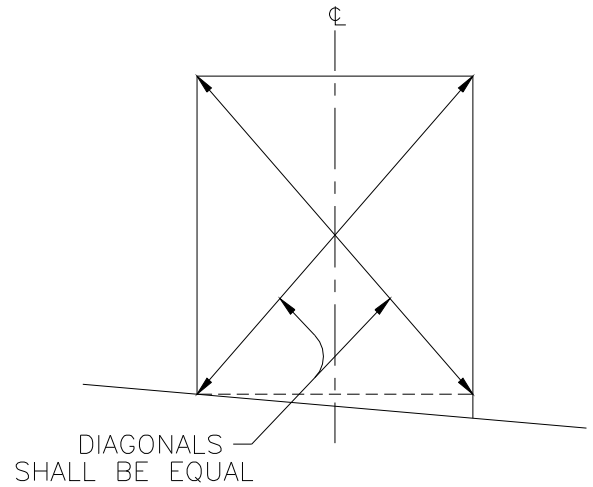


FIG. 1

### 2. Prepare Door Frame

- a. **Correct door opening height and width.** **The Top Stabilizer Tube is cut to the door opening width as ordered.**
  - **Measure left and right sides** of door opening from top to bottom. The height of the left and right sides of the opening should be the same.
  - **Measure the top and bottom** of door opening from side to side. The width of the top and bottom of the opening should be the same.
  - **If measurements do not coincide**, see Figures 1, 2, and 3.
    - \* **If floor is sloped**, level the floor in and around door opening (Figure 1).
    - \* **If the wall is badly aligned**, shim to make true (Figure 2).
    - \* **If the door jambs are crooked**, install door on the center line (Figure 3).

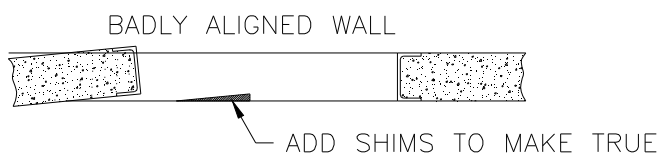


FIG. 2

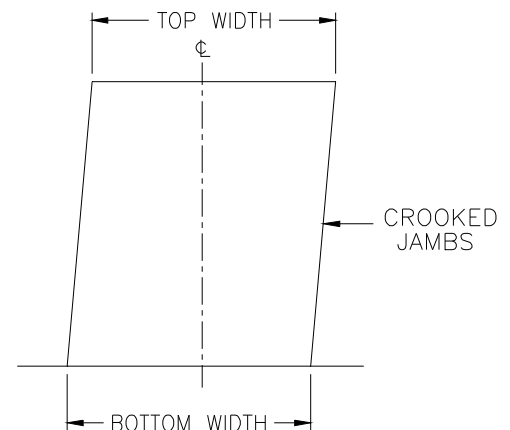


FIG. 3

## 2. Prepare Door Frame, continued

b. Ensure there is enough space to access mounting components.

- Motor mounted on Side shown in Figures 4a and 4b.
- Motor mounted on Front shown in Figures 4c and 4d.

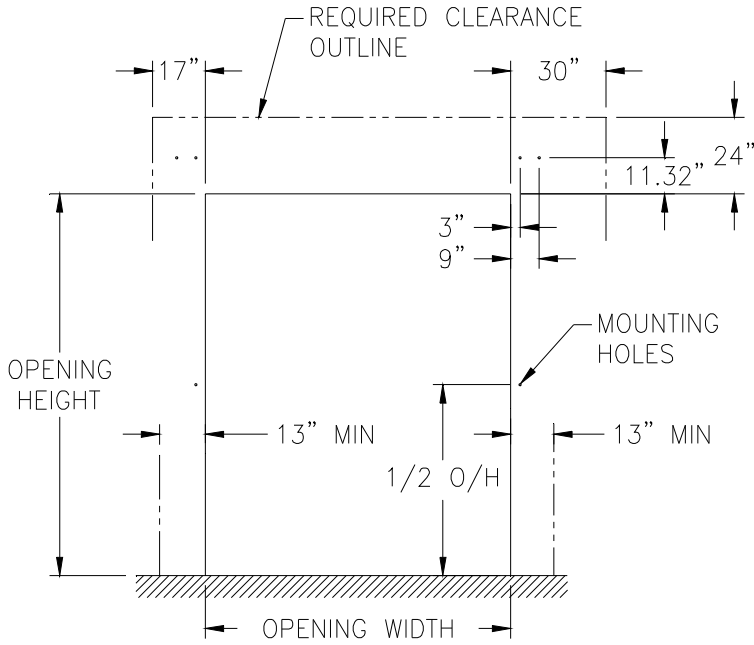


FIG. 4A

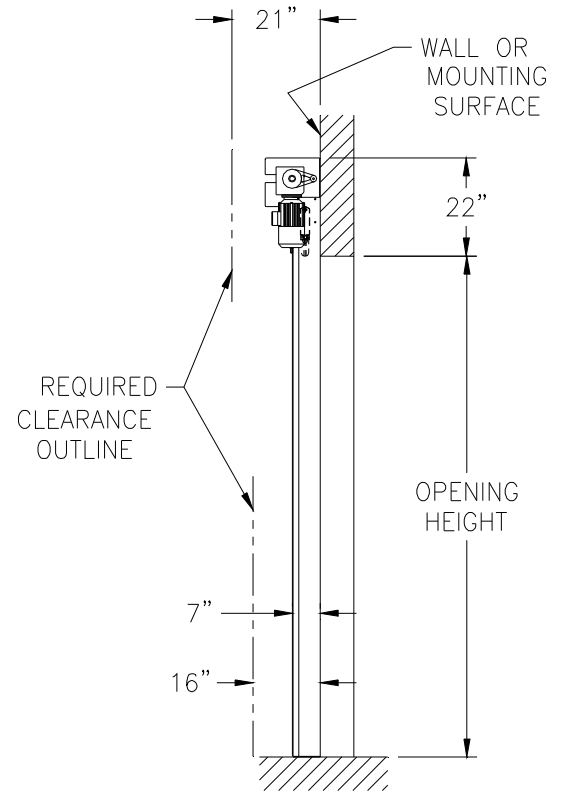


FIG. 4B

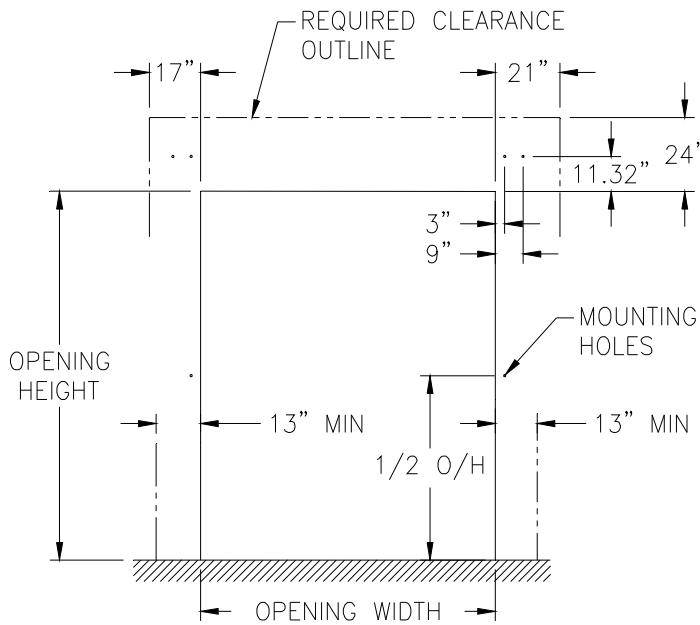


FIG. 4C

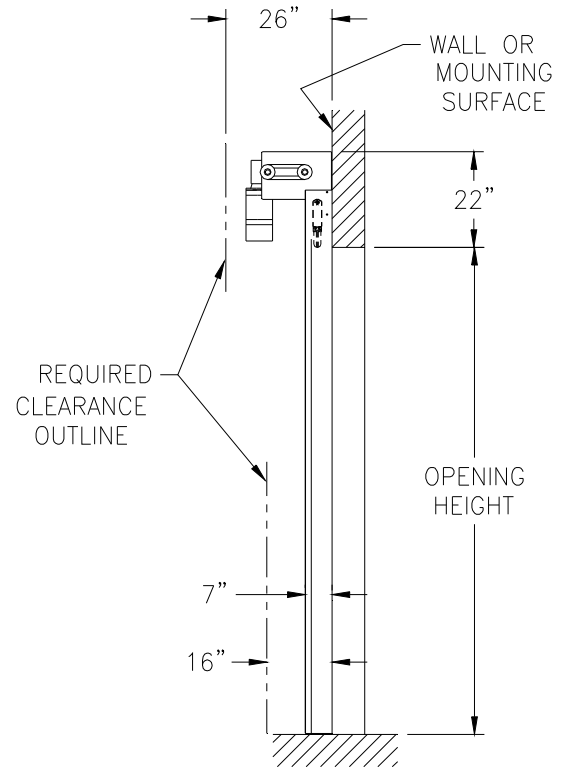


FIG. 4D

### 3. Attach Top Stabilizing Tube

- a. Clamp Uprights to wall.
  - Open or remove upright covers.
  - Clamp one Upright flush to edge of a door jamb with mounting holes against wall and anchor plates at the bottom (Figure 5).
  - Repeat for the other Upright.
- b. Attach Top Stabilizing Tube to Uprights.
  - Place Top Stabilizing Tube between left and right Uprights.
  - Match bolt holes.
  - Insert washer and bolt through holes.
  - Tighten.

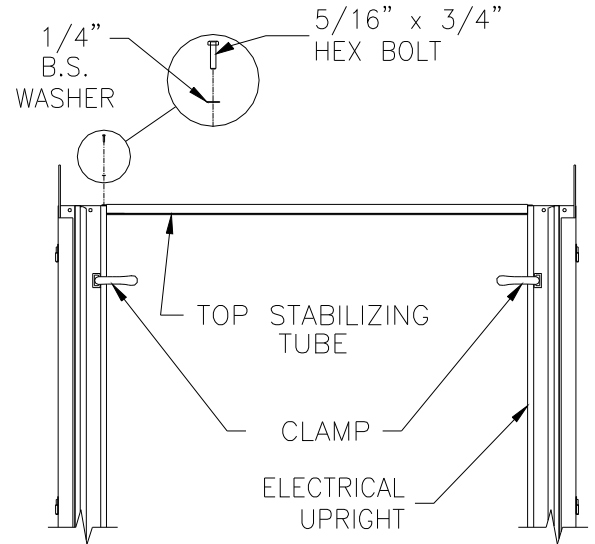


FIG. 5

### 4. Attach Uprights to Wall

- a. Check Uprights and Top Stabilizing Tube for plumb, level, and square (Figure 6a).
  - Measure top to bottom, left to right, and diagonally from all corners.

**MAKE SURE UPRIGHTS ARE NOT TWISTED OR WARPED.**

  - \* Check each Upright in front and on both sides.
  - Shim Uprights as needed so Uprights will not twist or warp when attached to wall (Figure 6b).

**NOTE: THE UPRIGHTS MUST BE PLUMB, LEVEL, SQUARE IN HEIGHT, WIDTH, AND DEPTH.**

- b. Attach Uprights to wall.
  - Drill through mounting holes.
  - Insert customer supplied hardware into mounting holes and tighten.
  - Check door for plumb, level, and square.

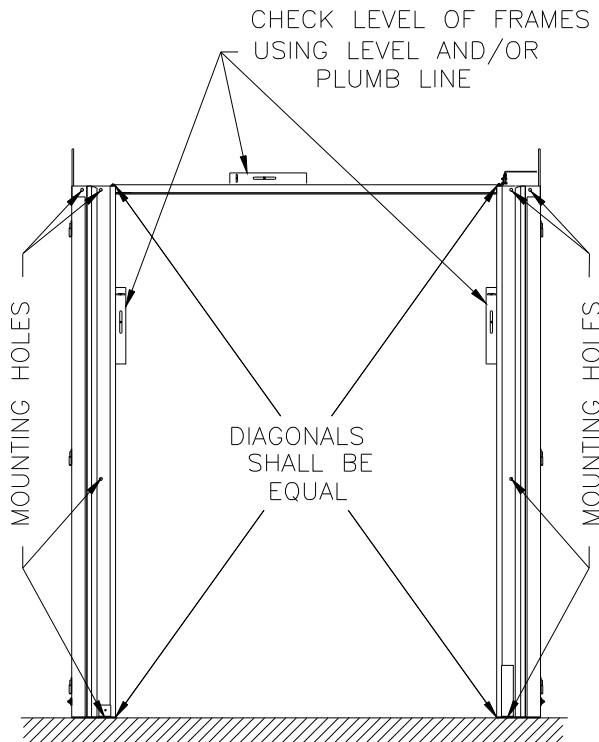


FIG. 6A

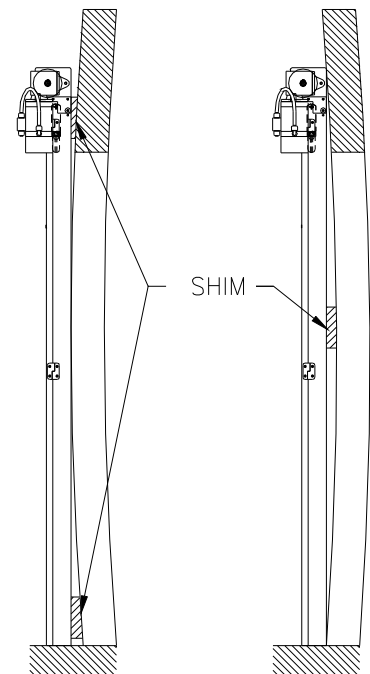


FIG. 6B

5. Check Verticals for Plumb, Level, and Square  
**MAKE SURE UPRIGHTS ARE PROPERLY ALIGNED AND NOT DEFORMED** (Figure 6c).

**NOTE: THIS DOOR MUST BE PLUMB, LEVEL, AND SQUARE IN ORDER TO WORK PROPERLY.**

6. Install Fabric Roll

- a. Remove tape and key from Motor end of Fabric Roll Shaft.
  - Set key aside for Motor mounting.
  - Do not remove Roll Retaining Straps at this time.
- b. Position Fabric Roll.
  - Place shaft with keyway on the same side as the electrical Upright (Figure 7).
- c. Insert Fabric Roll Shaft onto Bearing Plates.
  - Use suitable method to lift Fabric Roll onto Bearing Plates.
  - Carefully guide Shaft through Bearing Plate slots.
  - Keep bearings on outside of Bearing Plates.
  - Center Fabric Roll until it extends 6" beyond each Upright.
- d. Attach Bearings to Bearing Plates.
  - Line up Bearings with mounting holes provided.
  - Secure Bearings to Bearing Plates.
  - Repeat for other side.

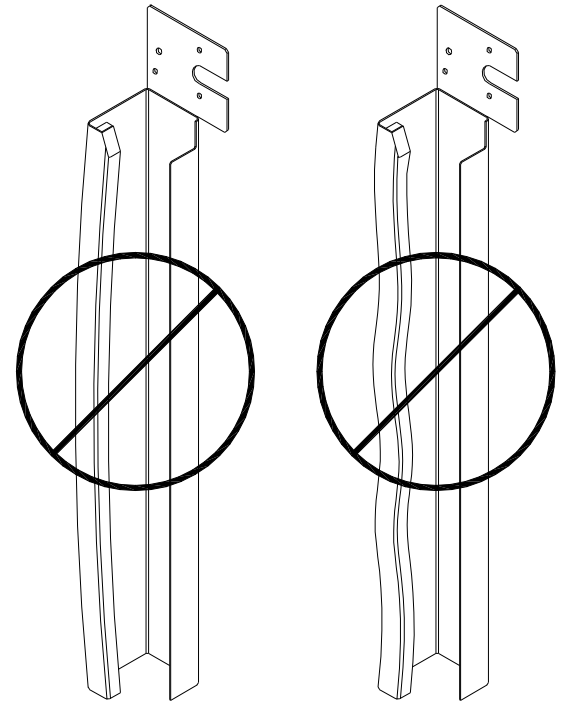


FIG. 6C

7. Center Fabric Roll between Bearing Plates

- a. Center Fabric Roll by hand until it extends 6" beyond each Upright.
    - Do not hit end of shaft to adjust roll.
- CHECK FABRIC ROLL FOR LEVEL.**
- b. Tighten set screws on Bearing Collars (Figure 7).
    - Secure with serviceable Locktite.
  - c. Secure with serviceable Locktite.

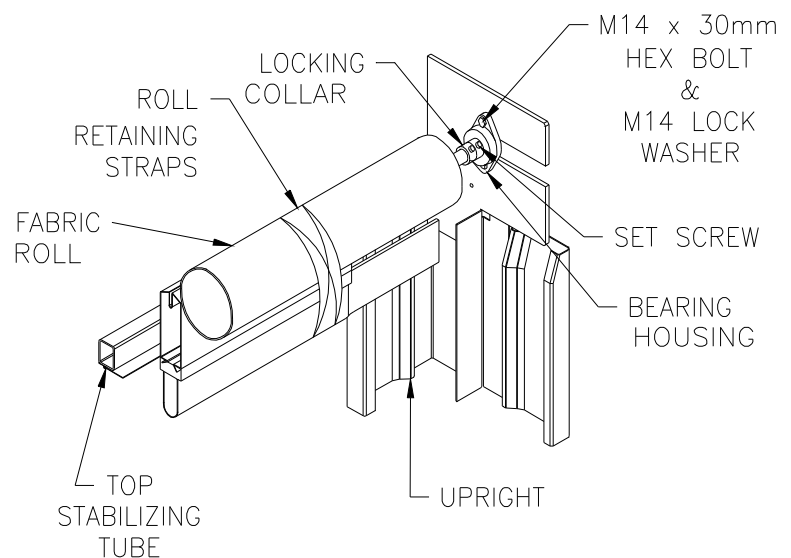


FIG. 7

## 8. Install Motor

### Install Motor on Side of Upright

- a. **Align Motor Output Shaft keyway** with Fabric Roll Shaft keyway (Figure 8a).
  - **Turn Motor at bottom of Motor with Crank Handle** to align keyways.
  - **Insert Motor Key.**
    - \* Note Keyway position.
- b. **Slide Motor onto Fabric Roll Shaft.**
  - **Determine safe method of lifting** Motor onto Shaft.
  - **Slide Motor onto Shaft.**
  - **Position Torque Arm Spacer** between the Bearing Plate and the Motor Torque Arm at hole provided.
  - **Insert hardware** and tighten.
  - **Tighten Set Screws** on Output Shaft on both sides of Gearbox (Figure 8b).
- c. **Complete Motor mounting.**
- c. **Cut Roll Retaining Straps** on Fabric Roll.

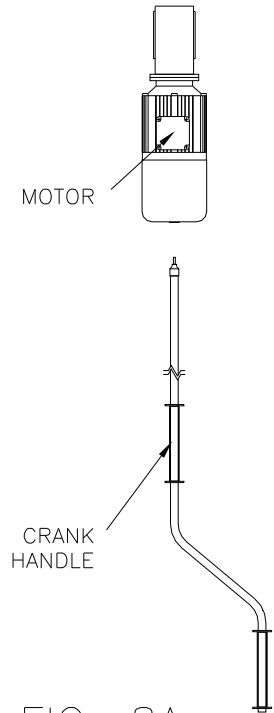


FIG. 8A

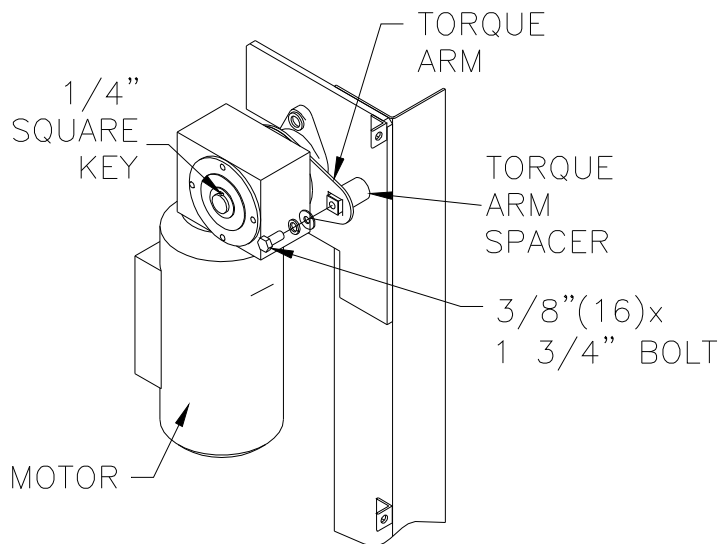


FIG. 8B

**9. Install Bottom Bar Controller (shipped in control panel)**

**Install Bottom Bar Controller to Bottom Bar**

- a. attach using hardware provided attach Bottom Bar Controller to the front right side of the bottom bar (Figure 9).

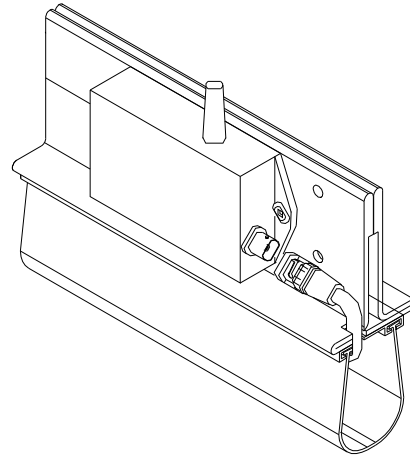


FIG. 9

**10. Test Fabric Roll for Proper Travel**

(test can be done after electrical installation if you wish to test travel electrically)

- a. **Close Upright Covers.**
  - **Insert hardware and secure cover.**
  - **Clean door.**
- b. **Test Fabric Roll.**
  - **Insert Crank Handle** into Socket at bottom of Motor (Figure 10).
  - **Turn Handle** to lower Bottom Bar to floor.
  - **Turn Handle** to raise Bottom Bar to top of door.
  - **Check door for rubbing** along Uprights.
    - \* Fabric should move freely within the Uprights.
  - **Raise door** to top of opening.
- c. **Leave Bottom Bar at top** of door for Electrical Installation and Hookup by a qualified Electrician.
  - **CONTINUE WITH STARTUP/FINAL ADJUSTMENTS AFTER ELECTRICAL INSTALLATION AND HOOKUP IS FINISHED.**

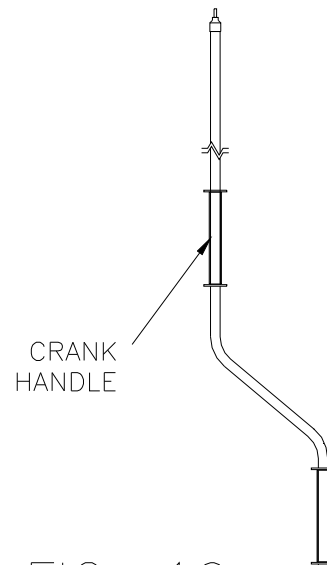
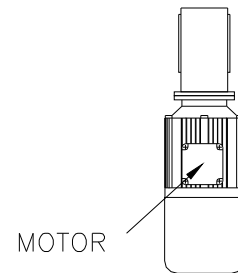
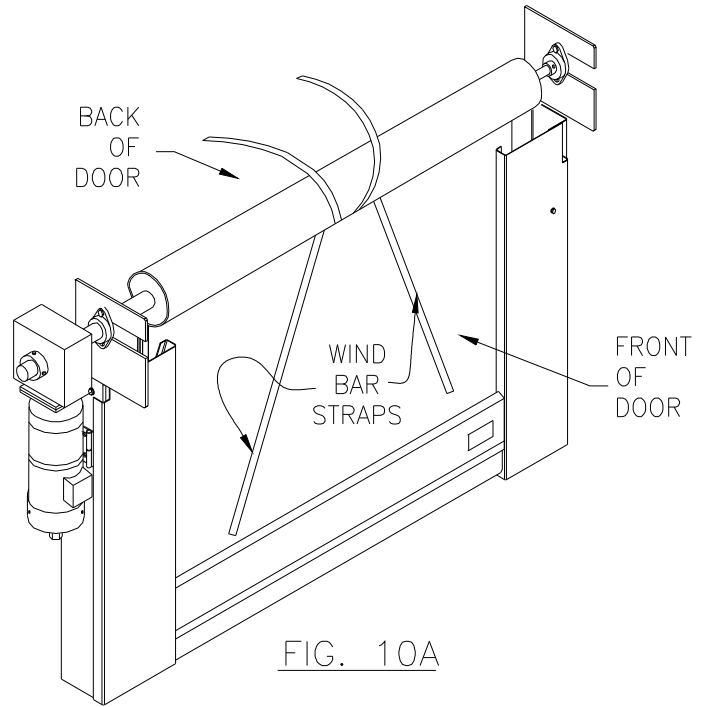


FIG. 10

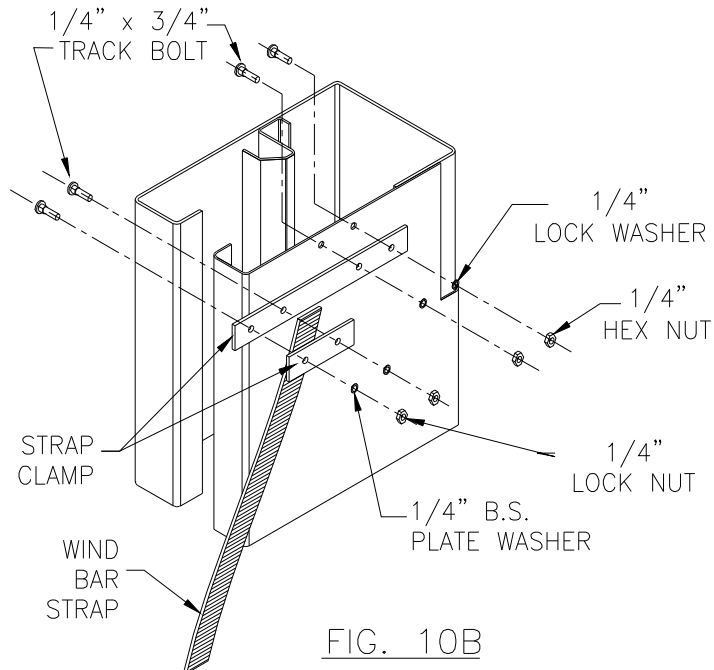


11. Prepare to Install Wind Bar(s), if ordered  
**THE WIND BAR OPTION HAS THREE POSSIBLE CONFIGURATIONS: SINGLE WIND BAR IN FRONT, SINGLE WIND BAR IN BACK, OR WIND BARS ON BOTH SIDES. USE THE FOLLOWING INSTRUCTIONS APPROPRIATELY FOR YOUR APPLICATION.**

- a. Prepare door.
  - Close Upright Covers.
  - Insert hardware and secure covers.
  - Make sure a Wind Bar, tools, and materials are on the side of the door on which it will be installed.
  - Close door by turning Socket Wrench.
- b. If installing Wind Bar on Back, Prepare Wind Bar Straps.
  - Flip two longer inner straps over the top of the Fabric Roll (Figure 10a).
  - Slide Wind Bar Straps between the brush gasketing and the Fabric.
  - Let Wind Bar Straps drop down behind door.
    - \* Make sure straps are **not twisted**.
- c. If installing Wind Bar on Front, Attach Wind Bar Strap Clamps to front of Uprights (Figure 10b).
  - Position Wind Bar Strap Clamp at top of Upright.
  - Match bolt holes.
  - Insert hardware.



12.



### Install Wind Bar on Front of Door

- a. **Install Wind Bar.**
  - Slide **Wind Bar Guide Roller** through top of Upright.
  - Rest the Wind Bar in Upright track.
- b. **Attach Wind Bar Straps.**
  - On one side, **wrap a Wind Bar Strap underneath and around the Wind Bar** (Figure 11).
  - On that side, **attach Wind Bar Strap to Wind Bar Strap Clamp** on Upright.
  - **Loosen the Strap Clamp.**
  - **Thread Wind Bar Strap from below** between the Strap Clamp plates.
  - **Pull Strap until Strap is snug** around Wind Bar, but is not lifting the Wind Bar.
  - **Tighten** Strap Clamp.
- c. **Repeat** for other side.
- d. **Check Wind Bar for level.**
  - **Adjust Wind Bar Straps** until Wind Bar is level.

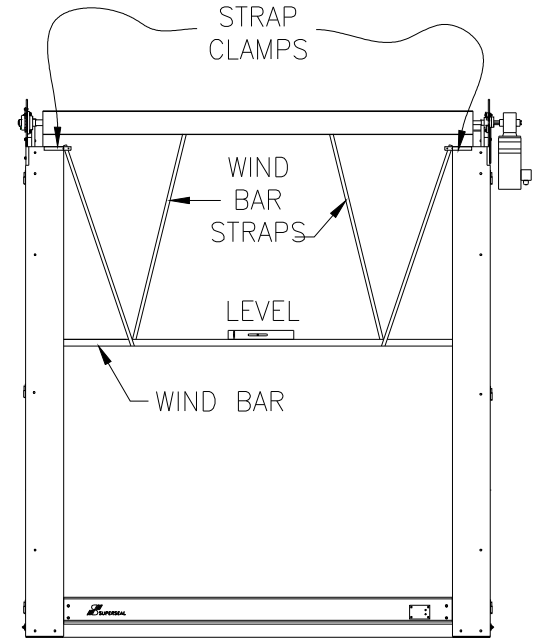


FIG. 11

### 13. Install Wind Bar on Back of Door

- a. **Install Wind Bar.**
  - Slide **Wind Bar Guide Roller** into top of Uprights.
  - Rest the Wind Bar in Upright track.
- b. **Attach Wind Bar Straps.**
  - On one side, **wrap a Wind Bar Strap underneath and around the Wind Bar.**
  - **Pull Strap between Brush Gasketing and Fabric until Strap is snug** around Wind Bar, but is not lifting the Wind Bar.
- c. **Attach** Wind Bar Strap.
- d. **Repeat Step b.** for other side.
  - **Check Wind Bar for level.**
  - **Adjust Wind Bar Straps** until Wind Bar is level.
- e. **Attach** Wind Bar Strap.

### 14. Test Fabric Roll for Proper Travel

- a. **Close Upright Covers**, if not already closed.
  - **Insert hardware** and secure cover.
  - **Clean** door.
- b. **Test Fabric Roll.**
  - **Raise Bottom Bar to top of door** by turning Socket Wrench.
  - **Check door for rubbing** in Guide Blocks or along Uprights.
    - \* Fabric should move freely within the Uprights.
    - \* If installed, Wind Bar(s) should be level and move freely.
  - **Adjust** Guide Blocks, Uprights, Fabric Roll, or Wind Bar Straps, if needed.
  - **Raise door** to top of opening.
- b. **Leave Fabric Roll at top** of door for Electrical Installation and Hookup by a qualified Electrician.

**CONTINUE WITH STARTUP/FINAL ADJUSTMENTS AFTER ELECTRICAL INSTALLATION AND HOOKUP IS FINISHED.**

## Series 8500-S – SuperLogic III + III PLUS

### ELECTRICAL INSTALLATION AND HOOK UP / SCHEMATICS

READ ALL INSTRUCTIONS AND PURCHASE ORDER BEFORE INSTALLING ELECTRICAL COMPONENTS. ELECTRICAL INSTALLATION AND HOOK UP MUST BE PERFORMED BY A LICENSED ELECTRICIAN. ELECTRICAL INSTALLATION MUST BE IN ACCORDANCE WITH ALL FEDERAL, STATE, AND LOCAL ELECTRICAL CODES AND REGULATIONS. ALL HARDWARE AND ELECTRICAL SUPPLIES ARE PROVIDED BY THE CUSTOMER.

#### E1. Check Incoming Power

- Make sure **customer voltage specifications match Motor and Control Panel voltage** specified on Super Seal packing slip.
- Measure incoming voltage.
  - USE A TRUE RMS VOLTAGE METER.**
- Confirm incoming voltage falls within **acceptable voltage range**:

Door Voltage	Acceptable Incoming Voltage Range
230	208 – 240
460	460 – 480
575	575 - 590

- If incoming voltage does not fall within acceptable range – adjust your step down transformer. If adjustment is not possible, Super Seal recommends installing appropriate matching transformer.

**NOTE: SUPER SEAL MFG. LTD. IS NOT RESPONSIBLE FOR DAMAGE TO THE SUPPLIED EQUIPMENT RESULTING FROM ANY OF THE FOLLOWING: POWER SURGES, POWER STATION INTERFERENCE, ELECTRICAL NOISE, POWER SPIKES/LOWS FROM THE USE OF HEAVY MACHINERY, POWER LINE FLUCTUATIONS, LIGHTNING OR IMPROPER INSTALLATION.**

#### E2. Mount Electrical Components

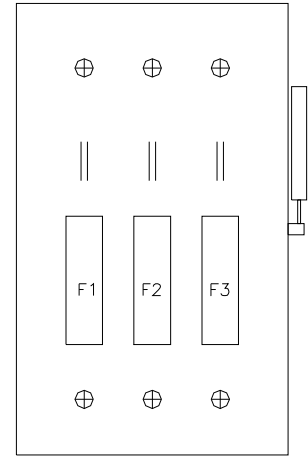
- MOUNT AND CONNECT ALL ELECTRICAL COMPONENTS IN ACCORDANCE WITH LOCAL AND NATIONAL ELECTRICAL CODE.**
- ALL ELECTRICAL COMPONENTS MUST BE INSTALLED TO MEET BOTH CUSTOMER REQUIREMENTS AND OPERATING ENVIRONMENT CONDITIONS.**

**SUPER SEAL MFG. LTD. IS NOT RESPONSIBLE FOR DAMAGE TO THE SUPPLIED EQUIPMENT RESULTING FROM INSTALLATION IN EXTREME WEATHER, TEMPERATURE, HUMIDITY, STATIC, OR ANY OPERATING ENVIRONMENT CONDITION NOT LISTED ON THE ORIGINAL PURCHASE ORDER.**

- The enclosed wiring schematics illustrate where/how all electrical components are connected.
- Mount Control Panel.
- Mount Push Button Station.
- Mount additional safety or activation devices, if ordered.

**E3. Connect Electrical Components. See Typical Wiring Layout (Figure E1).**

- **DO NOT RUN DOOR CONTROL WIRING IN THE SAME CONDUIT WITH POWER AND/OR MOTOR WIRING.**
- a. **Install a Fused Disconnect Switch** between the Main Power Line and the Control Panel. (Figure E2)
- b. **Connect the Motor and Brake wires to Control Panel.**
  - Connect **Ground, M1, M2, M3, B1, and B2** in Motor Junction Box to corresponding Ground, M1, M2, M3, B1, and B2 in Control Panel.
- c. **Connect Encoder Wiring to Control Panel.**  
Connect colored wires to Control Panel Terminal Block as shown in Terminal Block Wiring electrical diagram.
- d. **Connect Photo Eye Wiring to Control Panel.**
  - Connect colored wires to Control Panel Terminal Block as shown in Terminal Block Wiring electrical diagram.
- e. **Connect Push Button Station to Control Panel Terminal Block.**
  - \* Connect device as shown in supplied schematics.
- f. **Connect additional safety or activation devices to Control Panel Terminal Block, if ordered.**
  - \* Connect devices as shown in supplied schematics.



RECOMENDED FUSE RATING  
CC CLASS (TIME DELAY)  
208-240V = 6A  
460-480V = 4A  
575-600V = 3A

**NOTE: UNAUTHORIZED CHANGES TO WIRING WILL VOID THE WARRANTY ON THE DOOR. SUPERSEAL MFG. LTD. IS NOT LIABLE FOR PRODUCT FAILURE, PROPERTY DAMAGE, OR PERSONAL INJURY RESULTING FROM SUCH UNAUTHORIZED CHANGES.**

FIG. E2

**E4. Auxiliary Devices available from Super Seal Mfg. Ltd.**

Device Type	Device Name	Specifications	Recommendations
<b>Activation</b>	Green Mushroom Push Button Station	Nema 4 Enclosure	-
	Floor Loop Detector Wire not supplied	Refer to Manufacturer's Installation Guide.	Evaluate traffic flow
	Pull Cords	25' Rope/unit	-
	Photo Eye Includes mounting bracket.	Refer to Manufacturer's Installation Guide.	Additional protection may be required in harsh environments.
	Motion Detector Includes mounting bracket.	Refer to Manufacturer's Installation Guide.	Mount in front of door – Not behind or directly above
	Radio Control	Refer to Manufacturer's Installation Guide.	-
<b>Reversing</b>	Photo Eye Includes mounting bracket.	Refer to Manufacturer's Installation Guide.	Additional protection may be required for harsh environments
	Floor Loop Detector Wire not supplied	Refer to Manufacturer's Installation Guide.	Evaluate traffic flow
	Presence Detector Includes mounting bracket.	Refer to Manufacturer's Installation Guide.	Mount in front of door – Not behind or directly above
<b>Communication</b>	Warning Light	Refer to Manufacturer's Installation Guide.	120VAC Requires Separate Power
	Horn	Refer to Manufacturer's Installation Guide.	120VAC Requires Separate Power
	Traffic Light	Refer to Manufacturer's Installation Guide.	24VAC

**NOTE:**

**MOUNTING HARDWARE AND WIRING NOT SUPPLIED BY SUPER SEAL MFG. LTD., UNLESS OTHERWISE SPECIFIED.**

## Series 8500-S – SuperLogic III + III PLUS

### STARTUP AND FINAL ADJUSTMENTS

**MAKE SURE ALL ELECTRICAL CONNECTIONS HAVE BEEN MADE. BOTH ELECTRICIAN AND DOOR INSTALLERS SHOULD BE PRESENT.**

#### F1. Prepare for START UP

- a. **With the Power OFF** manually move door 2 to 3 feet below door opening.
  - \* Use **Manual Crank Handle** to turn Fabric Roll (Figure F1).
  - \* **Press in Red Emergency Stop.**
  - \* **Turn on Disconnect switch.**
  - The Display on the “SuperLogic III” Controller will read as follows. (Figure F2). First the display will show Company Logo and Type of Controller for two seconds.
  - Then the display will show
    - \* **STATUS: Stand By**
    - \* **Release E-Stop**
- c. **Release Red Emergency Stop**
- d. **Go to SERVICE JOG MODE. Press SEL** button until this mode is displayed.
  - **Press INC** button, if door opens the motor is wired correctly. Go to step S2.
  - If door closes immediately release INC. **With the power OFF** reverse motor direction by interchanging M1 and M3 wires connected to the terminal blocks located in the control panel.
  - Repeat step “d”

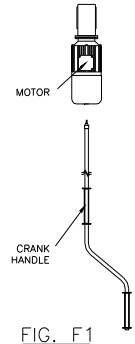


FIG. F1

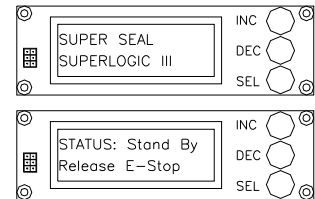


FIG. F2

#### F2. Set OPEN and CLOSE limits

**Move door to correct open position** in door opening. The bottom edge of the door should be at the opening height.

- \* **Put the door in Service - Jog Mode**
- \* **Press INC or DEC** button to put door in the open position
- \* Door should now be in the open position.
- \* **Open Encoder box cover.**
- \* **Set Open Limit** by pressing open button.
- \* **Open LED will light up.**

**Move door to correct closed position** in door opening. The bottom edge of the door should be just touching the floor.

- \* **Press DEC** button to put door in the closed position
- \* Door should now be in the closed position.
- \* **Set Close Limit** by **pressing** close button.
- \* **Close LED will light up.**

**Test limits on door. (to reset encoder limits press open and close buttons at the same time and release at the same time, follow step F2.)**





### F3. To Set or Adjust closing timer, if needed

- The Closing timer starts after all activation and reversing devices are cleared (this includes photo eyes, floor loops, motion detectors, ect.).
  - **For Activator Open/Activator Close Set Timer to 00 sec.**
- a. **The door should be fully closed** before starting.
  - b. **Open the control panel** door.
  - c. **Adjust closing timer** using the Display and 3 Buttons provided (Figure F3).
    - **Press SEL** button once.
      - \* TIMER SETUP will appear in the Display.
      - \* Time is shown in seconds.
      - \* For activator open / activator close, Closing Timer = 00 sec.
      - \* For activator open / time delay close, Closing Timer should be set anywhere from 01 sec. to 99 sec..
    - **Press INC** until desired closing time is displayed.
      - \* **To EXIT Press SEL** several times until STATUS screen is displayed.
  - d. **Close Control Panel** door.
  - e. **Test door** for proper Closing Timer Function.

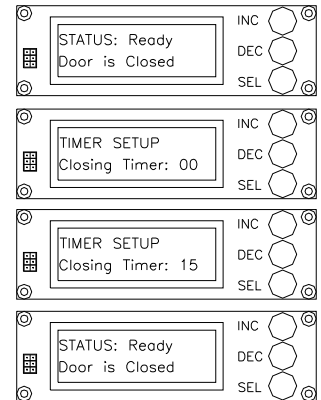


FIG. F3

### F4. Adjust CLOSE position, If needed

- a. **The door should be fully open** before starting.
- b. **Open the Control Panel** Door.
- c. **Adjust Closing limit** using the Display and the three Buttons provided (Figure F4).
  - **Press SEL** Button twice.
  - **Press INC (+)** to Raise Bottom Bar off the floor or **DEC (-)** to Lower the Bottom Bar to the floor.
  - **To EXIT press SEL** several times until STATUS screen is displayed.
- d. **Close Control panel** door.
- e. **Test door** for proper closing.

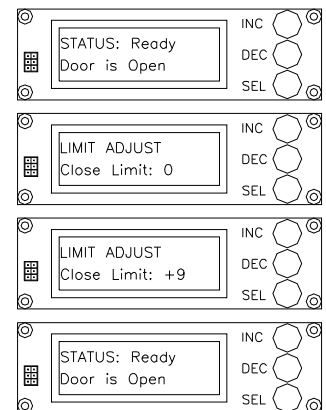


FIG. F4

**NOTE: IF THE FLOOR IS NOT LEVEL, YOU MAY REQUIRE ADDITIONAL MATERIAL ON THE BOTTOM BAR "SUPEREDGE". PLEASE CONTACT SUPER SEAL TO ORDER ADDITIONAL MATERIAL.**

### F5. Set Opening Speed "SUPERLOGIC III PLUS" only.

- a. **The door should be fully open** before starting.
- b. **Open the Control Panel** Door.
- c. **Adjust OPENING SPEED** using the Display and 3 Buttons provided (Figure F5).
  - **Press SEL** Button three times.
    - \* OPENING SPEED will appear in the display, if not continue to press SEL until it is displayed.
  - **Press INC or DEC** to change speed setting, stop when desired speed is displayed.
  - **To EXIT press SEL** several times until the STATUS screen is displayed.
- d. **Close the control panel** door.

**Test door** to ensure door is set to desired speed.

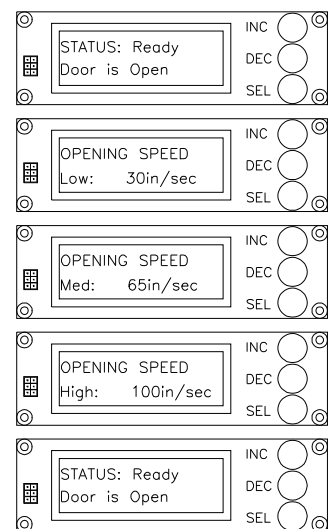


FIG. F5

## F6. Test Standard Safety Devices

- a. **The door should be fully open** before starting any safety device test.
- b. **Test Threshold Photo Eye.**
  - **Activate door.**
  - **Trigger Photo Eye** while door is closing.
  - **Door should reverse** and go up.
- c. **Test Bottom Bar “SuperEdge”.**
  - **Activate door.**
  - **Bump leading edge** of Bottom Bar while door is closing.
  - **Door should reverse** and go up.
- d. **Test Emergency Stop.**
  - **Activate door.**
  - **Push in red Emergency Stop button** on Control Panel while door is moving.
  - **Door should stop** immediately.
  - **Pull out red Emergency Stop** mushroom.
  - **Activate door.**
  - **Door should open.**

## F7. Test Activation Devices

- a. **The door should be fully closed** before starting any activation device test.
- b. **Test every installed activation device.**
  - Please see **Operating Instructions, Steps OP5 – OP12**, for specific activation device instructions.

---

**THIS DOOR CAN OPERATE IN TWO MODES: 1) ACTIVATOR OPEN/ACTIVATOR CLOSE, AND 2) ACTIVATOR OPEN/TIME DELAY CLOSE. THE DOOR IS ALWAYS SHIPPED IN ACTIVATOR OPEN/ACTIVATOR CLOSE MODE.**

**TO CHANGE THE OPERATION MODE TO TIME DELAY CLOSE, OR TO ADJUST THE CLOSING TIMER, FOLLOW STEP F2.**

---

## F8. Assess Door Operation in Application

- a. **Activation Devices.** The standard activation is open/close and a Manual Crank Handle for emergencies.
  - **Observe traffic and use** of door.
  - **Determine** if additional activation devices are required.
  - **Install** additional activation devices.
- b. **Reversing Devices.** The standard reversing system includes a “SuperEdge” in the Bottom Bar and a jamb mounted Threshold Photo Eye inside the Upright.
  - **Observe traffic and use** of door.
  - **Determine** if additional reversing devices are needed.
  - **Install** additional reversing devices.

**NOTE: IT IS THE CUSTOMER’S RESPONSIBILITY TO ENSURE THAT APPROPRIATE ADDITIONAL ACTIVATOR AND REVERSING DEVICES ARE INSTALLED ON THE DOOR AND ARE PROPERLY TESTED, THUS GUARANTEEING MAXIMUM USER SAFETY GIVEN THE DOOR APPLICATION AND THE EXPECTED TRAFFIC.**



If door is to be used by pedestrians it is strongly recommended to install extra reversing devices.  
E.g. Presence Detector, photo eyes, light curtain.

#### **F9. Finish Door Installation**

- a. **Close Control Panel** cover and secure.
  - \* Make sure Electrical Schematics Diagrams are stored inside the Control Panel at all times.
- b. **Attach Canopy**, if ordered.
  - **Use Customer supplied hardware.**
- c. **Close Uprights.**
  - **Insert hardware.**
  - **Tighten.**
- d. **Clean door.**
  - **Touch-up finish** where needed.
  - **Apply a Dealer service sticker** on the Control Panel.

---

**ALL DEVICES ARE SET AT THE FACTORY FOR STANDARD OPERATING PROCEDURE. ANY ADJUSTMENTS REQUIRED AFTER THE INITIAL START UP AND TEST ARE THE CUSTOMER'S RESPONSIBILITY.**

**IF YOU HAVE ANY PROBLEMS STARTING OR ADJUSTING THE DOOR, PLEASE SEE TROUBLESHOOTING GUIDE**

---

## Series 8500-S – SuperLogic III + III PLUS

### SPECIAL OPERATING INSTRUCTIONS

PLEASE READ ALL OPERATING INSTRUCTIONS BEFORE USING THE DOOR. PROPER EMPLOYEE TRAINING IS ESSENTIAL TO SAFE AND CORRECT DOOR OPERATION. THESE SPECIAL OPERATING INSTRUCTIONS SHOULD BE INCORPORATED IN ANY FIRE AND WORKPLACE SAFETY DRILL. ANY COMPANY SAFETY PROCEDURE SUPERSEDES THESE INSTRUCTIONS.

**PLEASE POST THESE INSTRUCTIONS NEAR THE DOOR.**

### STOP DOOR in case of EMERGENCY:

- a. Press the red Emergency Stop button.  
(Figure F2)
- b. The door will stop immediately.

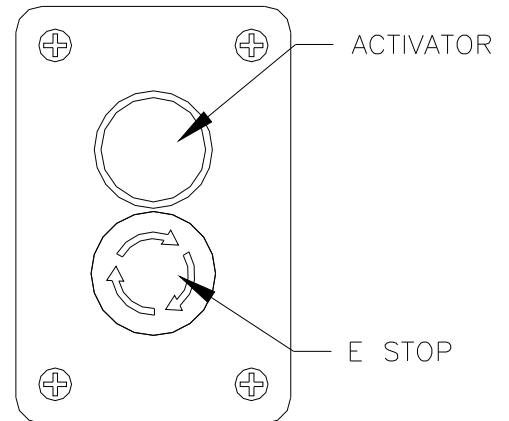


FIG. F2

### OPEN or CLOSE DOOR in case of POWER FAILURE:

- a. TURN OFF MAIN POWER SWITCH.
- b. Push in red Emergency Stop Button.
- c. Insert Socket Wrench into Socket in bottom of Motor.
- d. To OPEN door or CLOSE door:
  - Turn Socket.

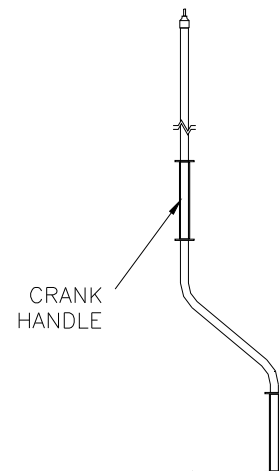
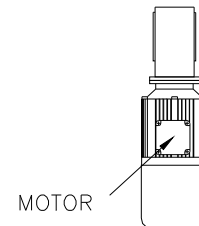


FIG. F1

## Series 8500-S – SuperLogic III + III PLUS

### OPERATING INSTRUCTIONS

---

**PLEASE READ ALL SAFETY AND OPERATING INSTRUCTIONS BEFORE USING THE DOOR. PROPER EMPLOYEE TRAINING IN SAFETY AND OPERATING PROCEDURES IS ESSENTIAL TO SAFE AND CORRECT DOOR OPERATION. IT IS THE CUSTOMER'S RESPONSIBILITY TO ENSURE THE DOOR IS SAFE FOR EVERYONE USING IT. SUPER SEAL IS NOT RESPONSIBLE FOR ANY PRODUCT WEAR, PRODUCT FAILURE, PROPERTY DAMAGE, OR PERSONAL INJURY THAT MAY RESULT FROM IMPROPER DOOR OPERATION.**

---

#### SAFETY INSTRUCTIONS

**OP1. Do not push or pull on the Bottom Bar to Open or Close the door**

- Please see Step **OP5** for Standard Operating Instructions.

**OP2. Do not operate a damaged door**

**OP3. Standard Reversing Features**

- **The door has two standard reversing devices:**
  - \* Threshold Photo Eye.
  - \* Bottom Bar "SuperEdge."
- **Threshold Photo Eye.**
  - \* **The Photo Eye emits a beam** of light across the door opening.
  - \* **If the Door is closing** and the **Photo Eye beam is blocked**, the **door reverses**.
  - \* **If the Door is open** and the **Photo Eye beam is blocked**, the **Closing Timer resets**.
  - \* Make sure the Threshold Photo Eye height is correctly set for the door traffic.
- **Bottom Bar "SuperEdge."**
  - \* The **Leading Edge of the Bottom Bar** contains a "**SuperEdge**" sensor.
  - \* **If the Door is closing** and the "**SuperEdge**" sensor is **impacted**, the **door reverses**.

**OP4. Rules for Safe Door Operation**

- Do not operate the door when impaired by drugs or alcohol.**
  - \* Drugs and alcohol reduce a person's ability to judge time and distance.
  - \* Judging time and distance is important for safe door operation.
- Do not use a visibly damaged door.**
  - \* More damage may be done to the door by using it.
  - \* Safety devices may be damaged and not working properly.
- Do not use the door if the safety devices or activators do not work properly.**
  - \* There may be unseen damage to the door.
  - \* There may be unseen damage to the electrical system.
  - \* The door may injure people or damage property.
- Do not stand under door or leave hands or feet in door opening while the door is moving.**
  - \* Move through the door opening in a timely manner if the door is closing automatically.
- Do not operate door with people or objects standing in door opening.**
  - \* Door may injure people or damage objects.
- Do not hang on Bottom Bar while the door is opening.**
  - \* The door is designed to bear only its own weight.
  - \* The extra weight may damage the Bottom Bar, the Motor Drive Assembly, or the Fabric Roll.
- Follow the Standard Operating Instructions to properly operate the door.**

## STANDARD OPERATING INSTRUCTIONS

### OP5. Door Activators

- a. A door activator is a device used to make the door open or open/close.
- b. The door may have many activators.
  - \* Please check the activators listed below that apply to this door.

**To STOP DOOR AT ONCE: PUSH IN THE RED EMERGENCY STOP BUTTON.**

### OP6. Pull Cord



Pull Cord Open / Pull Cord Close

- \* **To open the door**, pull the Pull Cord.
  - The door will travel to its full open position.
  - Pulling the Pull Cord will not stop or reverse the door while it is opening.
- \* **Walk or drive through door.**
- \* **To close the door**, pull the Pull Cord.
- \* **To re-open the door while it is closing**, pull the Pull Cord.



Pull Cord Open / Time Delay Close

- \* **To open the door**, pull the Pull Cord.
  - The door will travel to its full open position.
  - Pulling the Pull Cord will not stop or reverse the door while it is opening.
- \* **Walk or drive through door.**
- \* **The door will automatically close** in a preset amount of time.
  - Pulling the Pull Cord while the door is open will reset the Closing Timer.
  - Crossing the Threshold Photo Eye safety device will also reset the Closing Timer.
  - The Closing Timer should be set to allow people and machinery to safely move through the door. To adjust the Closing Timer, refer to Startup/Final Adjustment Instruction F8, Set or Adjust Closing Timer.

### OP7. Floor Loop



Floor Loop Open / Time Delay Close

- \* **To open the door**, push or drive a **metallic cart or vehicle** over the Floor Loop.
  - The door will travel to its full open position.
  - Pushing or driving over the Floor Loop will not stop or reverse the door while it is opening.
- \* **Walk or drive through door.**
- \* **The door will automatically close** in a preset amount of time.
  - Pushing or driving over the Floor Loop while the door is open will reset the Closing Timer.
  - To adjust Closing Timer, refer Startup/Final Adjustment Instruction F8, Set or Adjust Closing Timer.

### OP8. Photo Eye



Photo Eye Open / Time Delay Close

- \* **To open the door**, walk or drive through the Photo Eye beam.
  - The door will travel to its full open position.
  - Walking or driving through the Photo Eye Beam will not stop or reverse the door while it is opening.
- \* **Walk or drive through door.**
- \* **The door will automatically close** in a preset amount of time.
  - Walking or driving through the Photo Eye beam while the door is open will reset the Closing Timer.
  - To adjust Closing Timer, refer Startup/Final Adjustment Instruction F8, Set or Adjust Closing Timer.

### OP9. Motion Detector



#### Motion Detector Open / Time Delay Close

- \* A Motion Detector **detects movement around** the door opening.
- \* **To open the door**, approach the door.
  - The door will travel to its full open position.
- \* **Walk or drive through door.**
- \* **The door will automatically close** in a preset amount of time.
  - Approaching the Motion Detector while the door is open will reset the Closing Timer.
  - To adjust Closing Timer, refer to Startup/Final Adjustment Instruction F8, Set or Adjust Closing Timer.

### OP10. Remote Push Button



#### Remote Push Button Open / Remote Push Button Close

- \* **To open the door**, push the DOOR ACTIVATION button.
  - The door will travel to its full open position.
  - Pushing the DOOR ACTIVATION button will not stop or reverse the door while it is opening.
- \* **Walk or drive through door.**
- \* **To close the door**, push the DOOR ACTIVATION button.
- \* **To re-open the door while it is closing**, push the DOOR ACTIVATION button.



#### Remote Push Button Open / Time Delay Close

- \* **To open the door**, push the DOOR ACTIVATION button.
- \* **The door will travel** to its full open position.
  - Pushing the DOOR ACTIVATION button will not stop or reverse the door while it is opening.
- \* **Walk or drive through door.**
- \* **The door will automatically close** in a preset amount of time.
  - Pushing the DOOR ACTIVATION button while the door is open will reset the Closing Timer.
  - The Closing Timer has been set to allow people and machinery to safely move through the door. To adjust Closing Timer, refer to Startup/Final Adjustment Instruction F8, Set or Adjust Closing Timer.

### OP11. Radio Control



#### Radio Control Open / Radio Control Close

- \* **To open the door**, push the button on the Radio Control Transmitter.
  - The door will travel to its full open position.
  - Pushing the button on the Radio Control Transmitter will not stop or reverse the door while it is opening.
- \* **Walk or drive through door.**
- \* **To close the door**, push the button on the Radio Control transmitter.



#### Radio Control Open / Time Delay Close

- \* **To open the door**, push the button on the Radio Control Transmitter.
  - The door will travel to its full open position.
  - Pushing the button on the Radio Control Transmitter will not stop or reverse the door while it is opening.
- \* **Walk or drive through door.**
- \* **The door will automatically close** in a preset amount of time.
  - Pushing the button on the Radio Control Transmitter while the door is open will reset the Closing Timer.
  - To adjust Closing Timer, refer Startup/Final Adjustment Instruction F8, Set or Adjust Closing Timer.

## Series 8500 – SuperLogic III + III PLUS

### ENCODER INSTALLATION

MAKE SURE POWER IS OFF WHEN DOING ELECTRICAL CONNECTIONS.

#### F1. Encoder Installation

**NOTE: Disconnect POWER FIRST.**

- **Attach enclosure** (grey box) and spacer for torque arm. **See drawing for assembly below.**
- **First install Spacer (1)**, the spacer should allow you to insert the disk with magnets (5) without interference from the shaft.
- **Attach mounting bracket (3)** use 4 allen bolts supplied.
- **Insert disk with magnets (5)** into gearbox, use screw to secure.
- **Attach encoder enclosure (7)** use 1/4" bolts supplied.
- **Insert encoder board into enclosure, the magnets will secure board in place.**
- **Hook up electrical cable to encoder and control panel.** (see electrical drawing below)

#### F2. Encoder setup

This unit needs to be positioned and set up before setting the door limits.

**Move door to correct OPEN position** in door opening. The bottom edge of the door should be at the top of the opening.

- \* **Put the door in Service - Jog Mode**
- \* **Press INC** button to put door in the open position
- \* Door should now be in the open position.
- \* **Check** to see if Green POWER LED is on in the encoder.
- \* **Reset encoder** limits press open and close buttons at the same time and **release at the same time.**
- \* **Locate encoder disk** behind circuit board in grey box by pulling gently on the gears.
- \* **Turn disk** in the same motion as if the door were opening until you see the open limit LED turn on. STOP
- \* **Turn encoder disk** Two full turns in the same motion as if the door were closing.
- \* **Place unit back** into grey box.

#### F3. Set OPEN and CLOSE limits

**Ensure that the door is in correct OPEN position.**

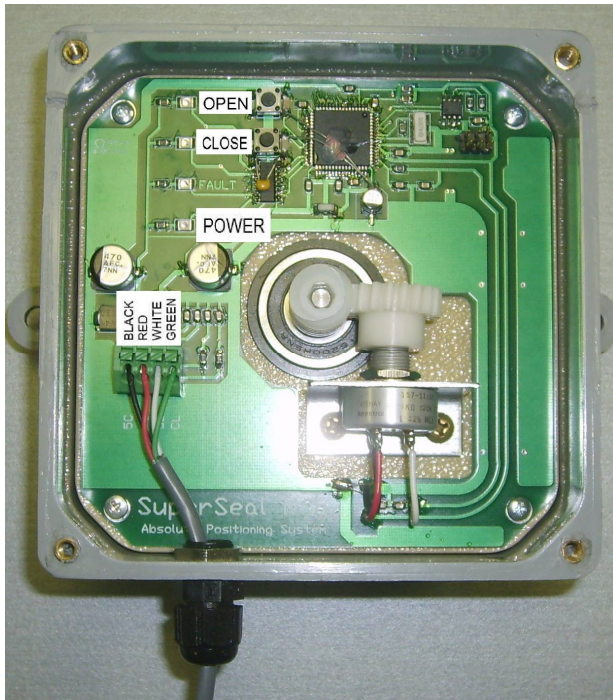
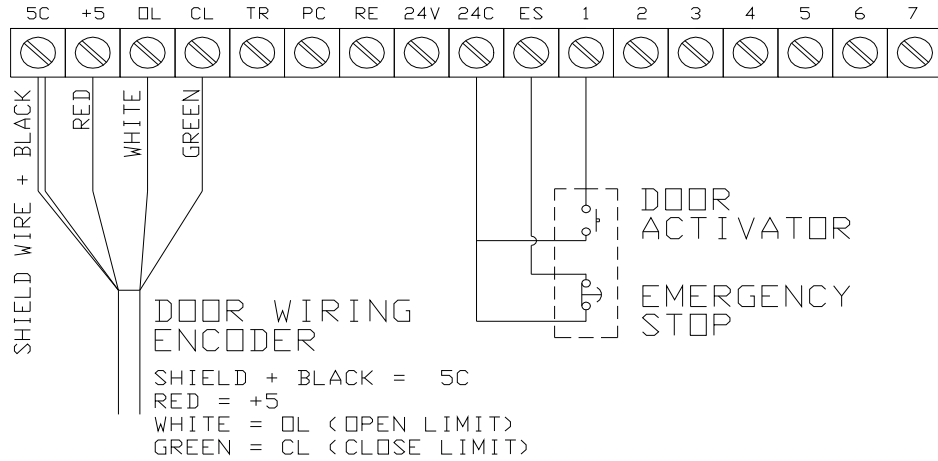
- \* **With the door in Service - Jog Mode**
- \* **Press INC or DEC** button to put door in the open position.
- \* **Set Open Limit** by pressing open button.(see picture below)
- \* **Open LED will light up.**

**Move door to correct CLOSED position** in door opening. The bottom edge of the door should be just touching the floor.

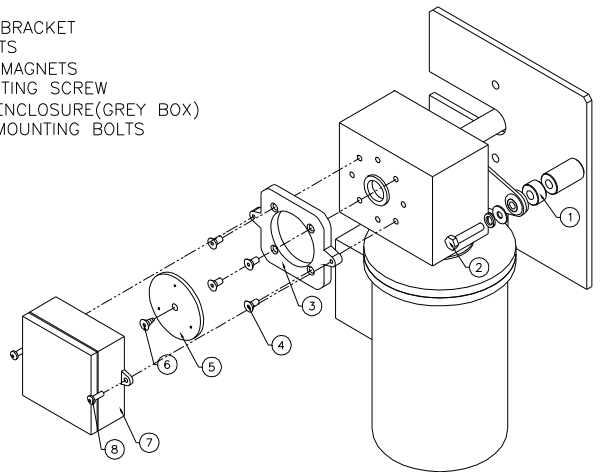
- \* **Press DEC** button to put door in the closed position
- \* Door should now be in the closed position.
- \* **Set Close Limit** by **pressing** close button.
- \* **Close LED will light up.**

**Test limits on door.** (to reset encoder limits press open and close buttons at the same time and release at the same time, follow step S2.)

## DOOR AND USER CONTROL WIRING



- 1-SPACER
- 2-BOLT
- 3-MOUNTING BRACKET
- 4-ALLEN BOLTS
- 5-DISK C/W MAGNETS
- 6-DISC MOUNTING SCREW
- 7-ENCODER ENCLOSURE(GREY BOX)
- 8-ENCODER MOUNTING BOLTS





## Series 8500-S – SuperLogic III + III PLUS

### MAINTENANCE GUIDE

ROUTINE MAINTENANCE OF THIS DOOR IS NECESSARY FOR PROPER FUNCTION.

FAILURE TO PERFORM THE FOLLOWING DAILY AND PERIODIC MAINTENANCE MAY VOID THE WARRANTY.

#### M1. Check Door Cycles

- a. Open the Control Panel Door.
- b. **Check DOOR CYCLES** using the Display and 3 Buttons provided (Figure M1).
  - **Press SEL** Button several times until CYCLE COUNTER is displayed.
  - **To EXIT** press **SEL** several times until the STATUS screen is displayed.
- c. Close the control panel door.

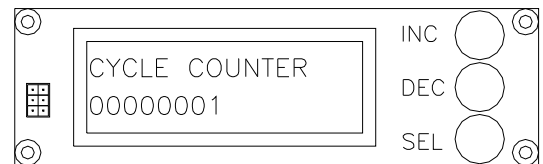


FIG. M1

#### M2. Daily Maintenance

- a. **Test Activators.**
  - Make sure all installed **activators work properly.**
- b. **Test standard safety devices.**
  - **Threshold Photo Eye.**
    - \* **Trigger Photo Eye** while door is closing.
    - \* **Door should reverse** and go up.
  - **Bottom Bar “SuperEdge”.**
    - \* **Bump leading edge** of Bottom Bar while door is closing.
    - \* **Door should reverse** and go up.
- c. **Check all other safety devices.**
  - All installed safety devices **must work properly.**
- d. **Check Breakaway Tabs on Bottom Bar.**
  - Make sure Breakaway tabs are **not cracked or broken.**
- e. **Check Encoder.**
  - Make sure Encoder **are working.**
- e. **Check door for physical damage.**

#### M3. Periodic Maintenance:

**Every Six (6) Months or 100,000 Cycles, whichever comes first.**

- a. **Grease bearings** in the **Fabric Roll Shaft** with general purpose grease BR2+.
- b. **Check all fasteners.**
  - Fasteners should be **tight.**
  - **Mounting hardware should be secure.**
- c. **Check all set screws.**
- d. **Check Encoder.**
- e. **Check all electrical connections.**
  - **Check for wear.**
    - \* **Wires should not be worn or frayed.**
  - All connectors should be **tight.**
- f. **Check Gearbox.**
  - **Check Breather** is installed.
- g. **Repeat Step M2, Daily Maintenance.**



**Customer:** \_\_\_\_\_ **Attention:** \_\_\_\_\_  
**Location:** \_\_\_\_\_ **Phone #:** \_\_\_\_\_  
**Date:** \_\_\_\_\_ **Fax #:** \_\_\_\_\_  
**Inspected By:** \_\_\_\_\_

Inspect (DISCONNECT POWER)	<input checked="" type="checkbox"/>	Lub.	Repair Req'd?	Description of Repair / Maintenance	Repair Date	Initial
<b>DOOR MOUNTING HARDWARE</b> - Wall Anchors - Floor Anchors						
<b>BEARINGS ON FABRIC ROLL</b> - Mounting Bolts - Set Screw - Grease						
<b>FABRIC DOOR PANEL</b> - Fabric - Wind Rollers						
<b>BOTTOM BAR</b> - Door Tabs - Bottom Bar Profile - Bottom Edge Sensor-						
<b>UPRIGHTS</b> - Photo eye - Door Wiring - Bearing Plates						
<b>MOTOR</b> - Gearbox - Mounting Hardware						

**Note:** Review door with customer to ensure that appropriate additional safety devices and activators are installed on the door and are properly tested, thus guaranteeing maximum user safety given the door application and the expected traffic.

**Comments**

---



---



---

**Repairs Recommended**

---

## Series 8500-S – SuperLogic III + III PLUS

### LIMITED WARRANTY

SUPER SEAL MFG. LTD. PRODUCTS ARE WARRANTED TO BE FREE OF DEFECTIVE MATERIAL AND WORKMANSHIP FOR A PERIOD OF (1) YEAR FROM THE DATE OF SHIPMENT. IF ANY FAILURE SHOULD OCCUR WITHIN THIS PERIOD, AND IT HAS BEEN DETERMINED BY A SUPER SEAL MFG. LTD.

REPRESENTATIVE THAT IT IS A DEFECT, SUPER SEAL MFG. LTD., WILL, AT ITS OPTION, REPAIR OR REPLACE THE DEFECTIVE PART(S) AT NO CHARGE.

**THIS PRODUCT REQUIRES PREVENTIVE MAINTENANCE.**

A COPY OF ALL PREVENTIVE MAINTENANCE REPORTS MUST BE SIGNED BY THE CUSTOMER AND BY THE END USER AND SENT TO SUPERSEAL.

THIS WARRANTY IS VOID IF SUPERSEAL DOES NOT RECEIVE PROOF OF PREVENTIVE MAINTENANCE.

THIS WARRANTY DOES NOT COVER ANY FAILURE CAUSED BY FAULTY OR INCORRECT INSTALLATION, MISUSE, MISAPPLICATION, OR ANY ALTERATIONS TO THE PRODUCT.

THE WARRANTY IS IN LIEU OF ALL GUARANTEES AND WARRANTIES BY ANYONE OTHER THAN SUPER SEAL MFG. LTD.

ALL SALES ARE F.O.B. FACTORY.